

"RELIABLE AIR CONDITIONING SYSTEMS FOR THE GLOBAL ROLLING STOCK MARKET"

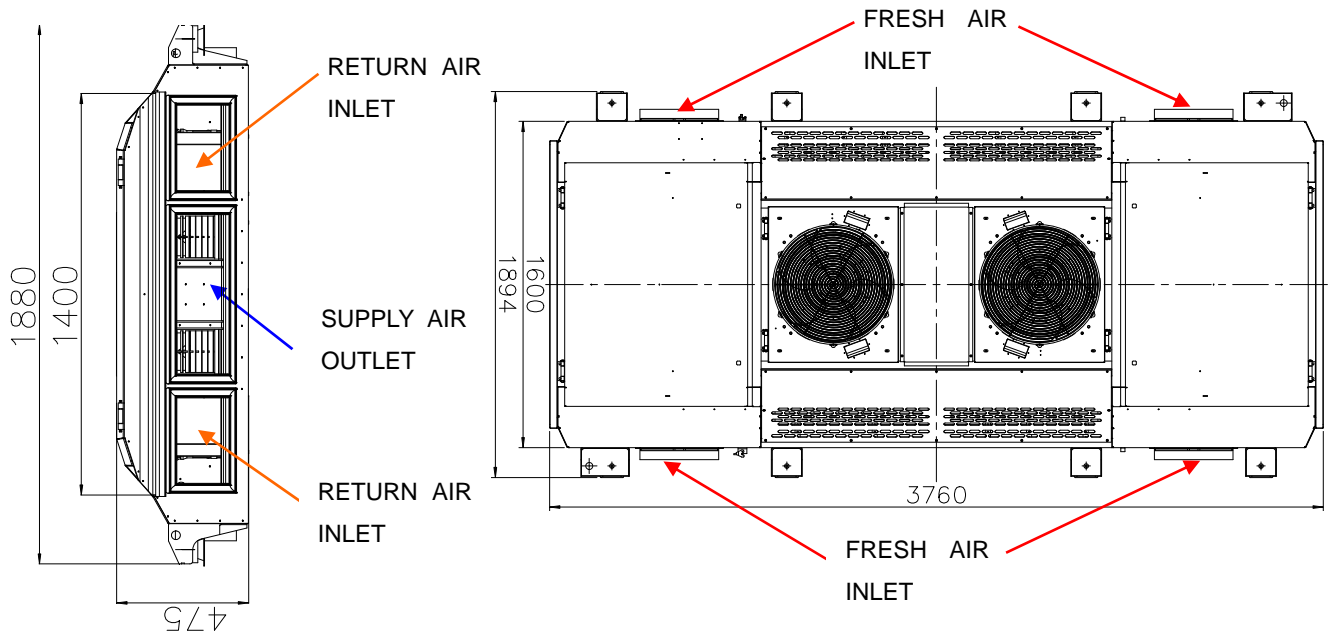


"SALOON AIR CONDITIONING FOR METRO APPLICATIONS"

Songz railway air conditioning Co., Ltd. is a wholly owned subsidiary of SONGZ group company (bus/car/railway vehicle/refrigerated vehicle A/C manufactory) specialized in railway A/C system, manufacturing. A/C systems of SONGZ RAILWAY have been designed to operate in the most high temperature and high humidity environment, which have been successfully used in Shanghai metro, Chongqing metro, urban railway in Malaysia, locomotive in Queensland etc.

In addition to good cooling performance, Songz Products can also be characterized according to customer's requirements. Such as: the fresh air automatic adjustment according to passenger load, condensate water recovery; air purification, high-capacity system integrated; air conditioning energy consumption recording system, etc.





SPECIFICATION DATA

Brief Description:	Packaged roof mounted unit.
Key Dimensions:	3760 L x 1800 W x 475 H (mm)
Cooling Capacity:	42 kW
Air Volume flow rates:	5500 m ³ /h supply air, 1600 m ³ /h fresh air.
Power Consumption:	18.8 (kW).
Temperature Information:	Designed for: external 35°C DB, internal 29°C DB, 60% RH
Extremely environment temperature:	50°C(full cooling)
Power Supply:	3 phase / 380V AC / 50 Hz, DC110V for controls
Number of compressors:	4
Mass:	930 kg.
Materials of manufacture:	Stainless Steel Construction
Shock and vibration testing details:	IEC 61373:1999 Cat 1 Class B
Refrigerant:	R134a

For more information on the SONGZ range of Air Conditioners, please contact our Head Office listed below.

In the interests of product improvement, SONGZ, reserves the right to alter specifications without notice.

Address: No. 588, Chunguang Rd, Xinzhuang Industrial Zone, Shanghai, China

Web: <http://www.shsongz.com.cn>

Email: sales@shsongz.com.cn

Phone: +86-21-5442 0900

Fax: +86-21-5442 2478